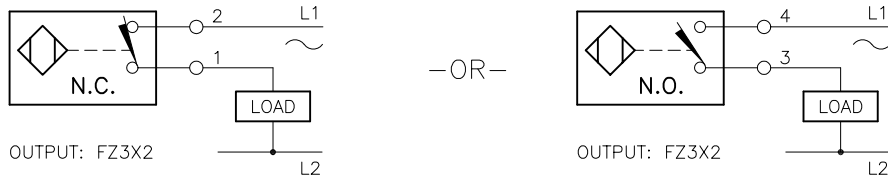


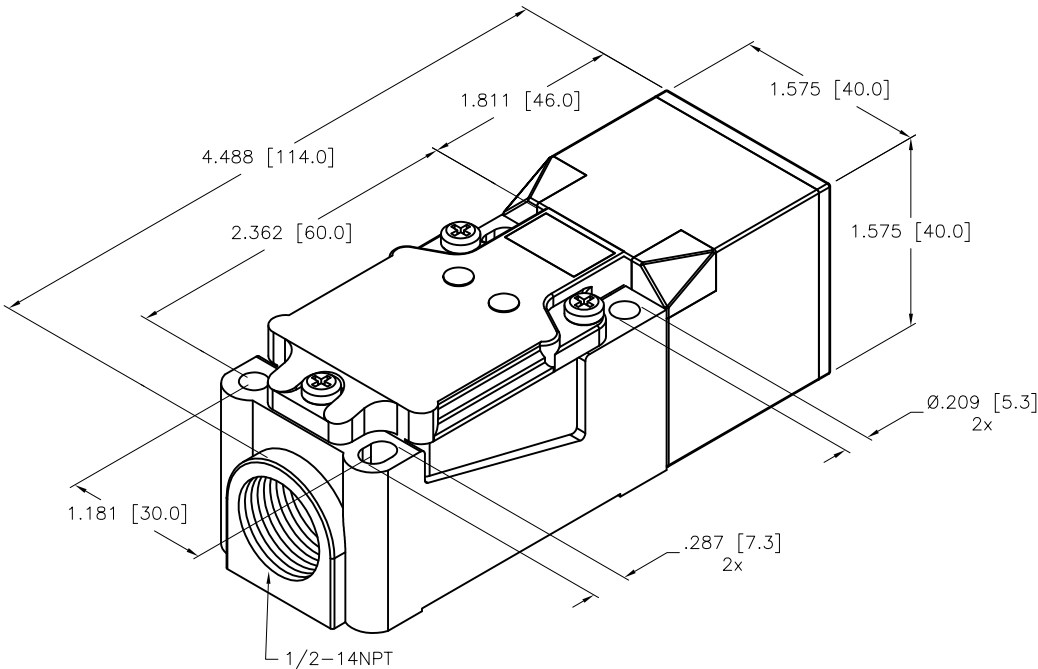
WIRING DIAGRAM



**WARNING: NO SHORT-CIRCUIT PROTECTION.**  
ALWAYS WIRE A LOAD IN SERIES WITH THE SENSOR.

SPECIFICATIONS

OPERATING VOLTAGE	20–250 VAC/VDC
LINE FREQUENCY	40–60 Hz
HYSTERESIS (DIFFERENTIAL TRAVEL)	3–15% (5% TYPICAL)
VOLTAGE DROP ACROSS CONDUCTING SENSOR	≤ 7.0 V at 500 mA
OUTPUT FUNCTION	CONNECTION PROGRAMMABLE NORMALLY OPEN OR NORMALLY CLOSED
SHORT-CIRCUIT PROTECTED	NO
CONTINUOUS LOAD CURRENT	≤ 500 mA
LEAKAGE (OFF-STATE) CURRENT	≤ 1.7 mA
MINIMUM LOAD CURRENT	≥ 5.0 mA
INRUSH CURRENT	≤ 8.0 A (≤ 10 ms/5 Hz)
TIME DELAY BEFORE AVAILABILITY	≤ 80 ms
POWER-ON EFFECT PROTECTION	INCORPORATED
PROTECTION AGAINST TRANSIENTS	5 kV, 10 ms, 10 kΩ
OPERATING TEMPERATURE	-25°C to +70°C (13°F to +158°F)
ENCLOSURE	MEETS NEMA 1, 3, 4, 4X, 6, 13 AND IEC IP67
SHOCK	30 g, 11 ms
VIBRATION	55 Hz, 1 mm AMPLITUDE (IN ALL 3 PLANES)
LED FUNCTION	RED: OUTPUT ENERGIZED GREEN: POWER ON
SENSING RANGE	20 mm = .787" (NOMINAL)
SWITCHING FREQUENCY	20 Hz
REPEATABILITY	≤ 2%
SHIELDED	NO



NOTES:

1. SENSING HEAD TURNS TO ACCOMMODATE 9 DIFFERENT SENSING POSITIONS.

RELATED DOCUMENTS 1. 2. 3. 4.	3RD ANGLE PROJECTION 	THIS DRAWING IS CONFIDENTIAL AND THE PROPERTY OF TURCK INC. USE OF THIS DOCUMENT WITHOUT WRITTEN PERMISSION IS PROHIBITED.		3000 CAMPUS DRIVE MINNEAPOLIS, MN 55441 1-800-544-7769 (763) 553-7300 (763) 553-0708 fax www.turck.us	
	MATERIAL PBT-GF30-VO	DRFT GMB	DATE 8/09/91	DESCRIPTION NI20NF-CP40-FZ3X2/S10	
FINISH	ALL DIMENSIONS DISPLAYED ON THIS DRAWING ARE FOR REFERENCE ONLY	APVD	SCALE 1=1.3	IDENTIFICATION NO. 13782	
CONTACT TURCK FOR MORE INFORMATION		UNIT OF MEASUREMENT <b>INCH [ MILLIMETER ]</b>		REV D	
DO NOT SCALE THIS DRAWING		FILE: 13782		SHEET 1 OF 1	

D	UPDATE ID NUMBER PER HARMONIZATION PROJECT	CBM	02/20/18	
REV	DESCRIPTION	BY	DATE	ECO NO.